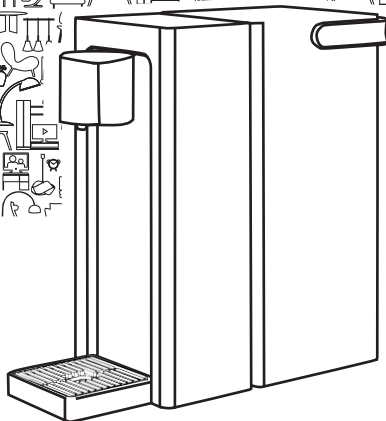
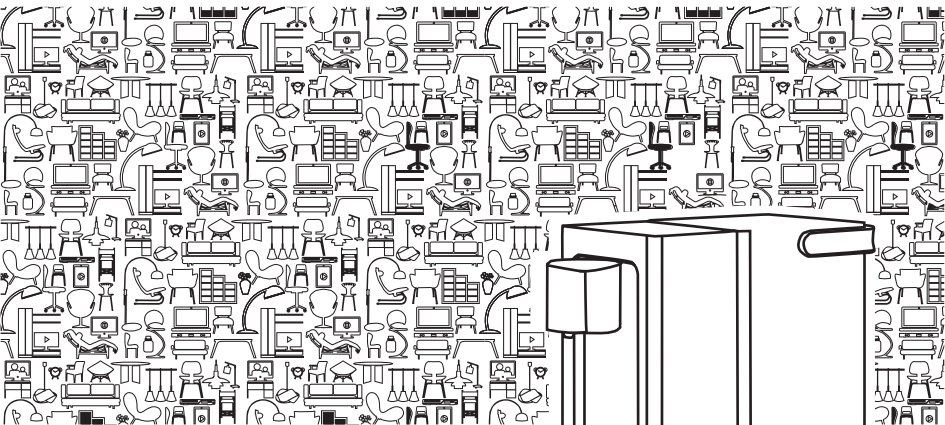


SABA



> 使用說明書

Instruction Manual

3.3L即熱式濾淨開飲機(家庭用)

3.3L Instant Hot Filtered Water Dispenser

SA-HQ09

Read this booklet thoroughly before using and save it for future reference

1. 免責聲明	1
2. 緊急處理方法 & 警告.....	2
3. 安全注意事項	2
4. 各部位名稱	3
5. 安裝說明	4
6. 使用說明	5
7. 規格.....	6
8. 清潔及保養方法	6
9. 簡易故障排除	7
10. 限用物質含有情況標示.....	7

免責聲明

● 聲明：

本手冊經仔細檢查及校對，但仍不排除文字拼寫及技術錯誤之可能，若因錯誤導致與實機不符時，以實機為準，此種錯誤或疏漏不能當呈堂的依據，其將於新版予以修正。

本手冊之全部內容，本公司享有隨時修改之權力，且不另行通知。

緊急處理方法 & 警告

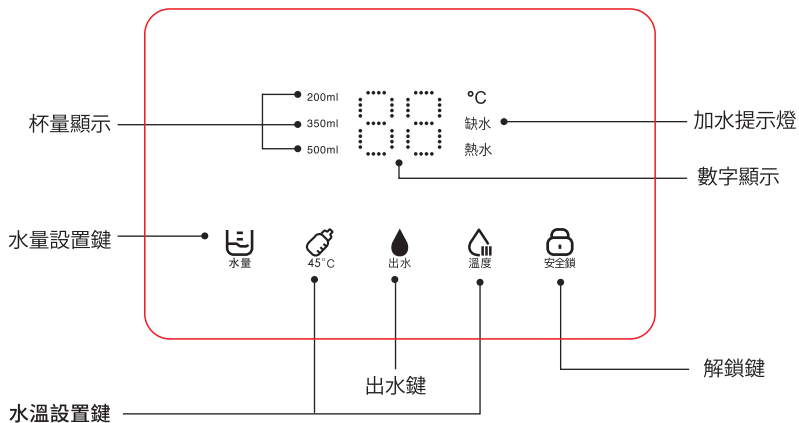
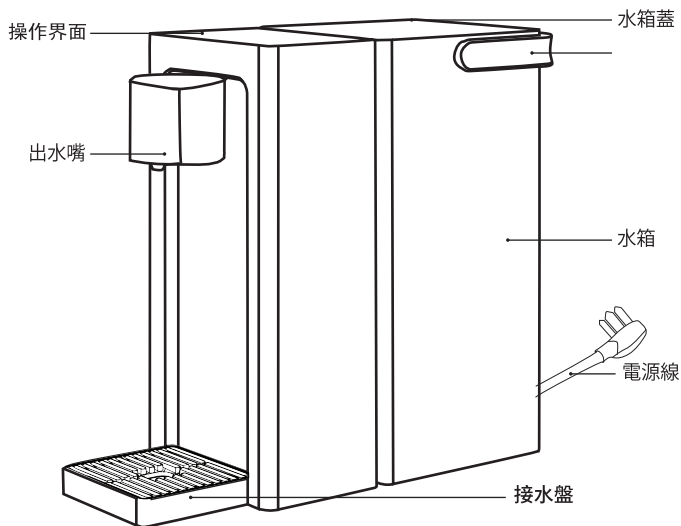
- ◎當發生異常或有燒焦味時，應立即拔除電源插頭，並與本公司服務專線連絡或就近經銷商洽詢，若在異常狀態下繼續使用易發生火災之危險。
- ◎為了避免火災或是電擊的危險，請勿讓本機暴露於雨中或濕氣中。
- ◎電源線請確實插牢於電源插座內，以免因未插牢而引起插頭產生高熱，而造成意外。
- ◎電源線或電源底座若損壞時，請速與本公司服務專線聯絡或就近經銷商洽詢。

安全注意事項

在使用本機之前，應仔細閱讀下列事項及使用說明，閱後並請妥為收存，以備將來參考：

1. 孩童應受監護，以確保孩童不嬉玩電器。
2. 本電器不預期供生理、感知、心智能力、經驗或知識不足之使用者（包含孩童）使用，除非在對其負有安全責任的人員之監護或指導下安全使用
3. 請將飲水機放置在穩定的台面，使用時請勿離開。請勿加入超過最大刻度，嚴禁加入熱水、冰塊及其他混合液體，如牛奶、果汁等。
4. 正確使用電源插座，在維護、運輸過程中須斷開電源。請勿使用濕手拔插插頭，以免造成火災、觸電或短路。
5. 清洗清潔時，機身不得浸入水中，請勿用水沖洗飲水機主機。
6. 如電源線損壞，為避免危險，必須由製造商，其維修部或類似部門的專業人員更換。
7. 請單獨使用額定電流為 15A 或以上的帶接地線的插座，避免與其他電器合用插座，以免發生異常引起火災。
8. 請勿用於除交流電 110V 以外的電壓，以免造成火災、觸電。
9. 本產品僅可加入飲用水或包裝飲用水，不得加入生水。
10. 使用後加熱元件之表面可能存在餘溫，請避免觸碰。
11. 請避免連接器(插座)受液體潑灑，以免造成危險。

各部位名稱

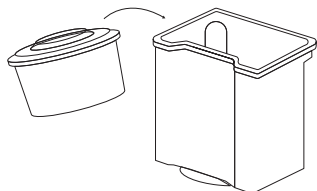


安裝說明

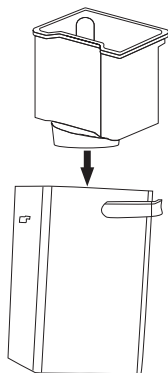
1. 將濾芯安裝入濾芯盒中。(圖一)
2. 再將濾芯盒放入水箱中。(圖二)
3. 將接水盤底部卡扣對準機身下方的卡槽輕輕按下卡扣。需要取下時，向上擡起接水盤，脫離卡槽後向外移出。使用前請清洗水箱，加入飲用水，再按圖示安裝在飲水機上。(圖三)
4. 將電源線插頭牢固的插入插座。(圖四)

注意：電源線插頭必須牢固插入插座，若未牢固插入，長期使用會因插座電極產生電弧，導致高溫有引起火災的可能。
請加入飲用水；請勿單手拿取水箱以免造成掉落。

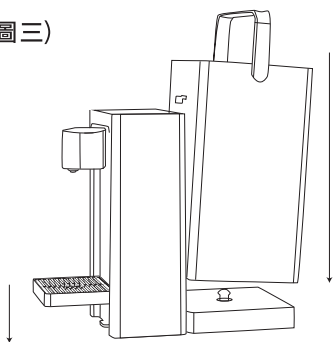
(圖一)



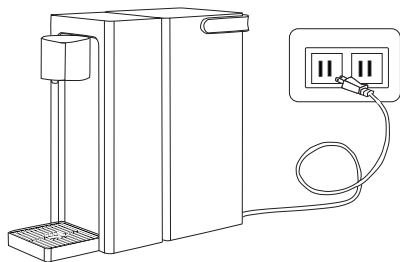
(圖二)



(圖三)




(圖四)



附件：濾芯1個、接水盤1個、濾芯支架1個、水箱1個、水箱蓋1個說明書(含保證書)1本



使用說明

通電 / 開機



1. 將電源插頭接入到 110V 家用電源中，飲水機發出「滴」提示音，所有指示燈亮 1 秒後熄滅，進入工作狀態。每次斷電後再次通電後，飲水機顯示「[]」，表示需要運行清洗程序。請在出水口下方放置一個不小於 150mL 的容器，按  鍵。出水過程中，持續顯示「[]」。飲水機出常溫水約 100mL 後，清洗結束，即可正常使用。

注意：不建議飲用自動清洗時排出的常溫水。

安全鎖

2. 點按  鍵後聽到「滴」提示音，其餘按鍵燈亮起，同時出水口氣氛燈亮起，即為解鎖成功。飲水機在無任何操作 30 秒後會自動進入鎖定狀態，此時只有  鍵亮起其餘按鍵燈熄滅，出水口氣氛燈同步熄滅。

出水

3. 解鎖狀態下，可根據需求選擇不同的水量與溫度，按下  鍵即可出水。當聽到「滴」提示音時，即完成出水。在出水過程中，再次按下  鍵即可手動停止出水。停止出水時會有輕微延時以防止乾燒，屬於正常現象。

水量

4. 點按  鍵可選擇不同的出水量，小杯約 200mL，中杯約 350ml，大杯約 500ml。

溫度

5. 點按  鍵設置自行設置需要的出水溫度，常用溫度 25°C, 45°C, 65°C, 85°C，開水，長按  鍵可進行每 1°C 調整。

45°C




6. 點按  鍵設置出水溫度為 45°C。

水溫設置	顯示溫度	出水口溫度
常溫	25° C	常溫
45° C	45° C	45±2° C
65° C	65° C	65±2° C
85° C	85° C	85±2° C
熱水	HI	約 93 ~ 99° C

* 以上溫度測試數據均來自工廠實驗室。

* 受電壓、環境進水溫度影響及海拔高度等因素影響，出水溫度可能略有誤差。

手動沸點調節

7. 飲水機可根據海拔高度調節沸點，避免過多蒸汽導致工作異常。通電後飲水機顯示「[]」狀態下，長按  鍵 5 秒，直到數字開始閃爍。請根據實際使用情況，按  鍵調整沸點溫度 (85~99)，調整完畢長按  鍵即完成設置。

缺水報警

8. 在正常出水等過程中，如機器內部在 5 秒內沒有檢測到有水時，「缺水」提示燈亮起，同時發出「滴滴滴」的缺水提示音，此時請及時補水。

除垢

9. 根據所使用的檸檬酸產品說明，將稀釋後的檸檬酸溶液加至水箱約 1/3 位置 (約 1.0L)，在出水嘴下放置不小於 1.5L 的容器 (用於接排出的熱水)。設置溫度為開水，杯量設置為大杯，出水 2 次後，請倒出水箱內的餘水並清洗水箱。加入常溫純淨水約 1.0L 再次按出水即可完成除垢。

* 注意：請勿飲用除垢時排出的熱水。清洗除垢過程中謹防出水溢出容器外。

規格

額定電壓/頻率: 110V~/60Hz

總額定消耗電功率: 1450W

水箱容量: 3.3公升

商品原產地: 中國

清潔及保養方法

- 如長期不使用，請拔掉電源並倒掉水箱內的餘水。再次使用前需要運行清洗程序。
- 接水盤 (可拆卸)、水箱可以放入水中清洗，並用軟布擦乾。
- 水箱內的水存儲不宜超過 48 小時，請定時清理水箱。
- 請勿將飲水機放置在陽光直射或強光下，遠離火源與高溫。
- 請使用純淨水，如使用自來水或水質較差的水源，會出現水量偏少、堵塞、結垢等現象，並可能導致飲水機使用壽命縮短。
- 濾芯使用週期建議 1~3 個月。

簡易故障排除

故障現象	故障原因	解決辦法
飲水機無法啓動	電源插頭沒有連接到位	確保電源線插頭與插座正確連接
缺水指示燈亮起	飲水機處於缺水報警狀態	水箱內加入純淨水
開水檔溫度偏低	沸點設置偏低	恢復出廠設置(請參閱 2.2 通電 / 開機)
通電後指示燈不亮, 且按鍵無反應	電路板損壞	聯繫售後客服
顯示 E2 E3	內部溫度傳感器問題	聯繫售後客服

限用物質含有情況標示

揭露網址:<http://service.wonder.tw/download/ROHS/A0225.pdf>



保固 使用說明



使用教學



數位保固卡



線上客服



數位說明書

服務/保固/教學

就在  @wonder.tw 解決你的困擾

SABA is a trademark of Technicolor SA used under license by IFI HK. Ltd

ENVIRONMENT-FRIENDLY DISPOSAL 廢電池請回收



You can help protect the environment!

Please remember to respect the local regulations:

Hand in the non-working electrical equipments to an appropriate waste disposal centre.

廢電池未妥善回收處理可能造成環境衝擊及人體危害:
電池棄置時應交至電池回收中心處理
請勿隨意丟棄

Contents

1.Disclaimer	1
2.Emergency treatment&Warning	1
3.Important safety instructions	2
4.Guide To The Appliance	3
5.Installation	4
6.Operation Instruction	5
7.Product Specifications	6
8.Cleaning & Maintenance	7
9.Troubleshooting	7

Disclaimer

Disclaimer:

This manual has been carefully checked and proofread, but it does not rule out the possibility of spelling and technical errors. In case of errors that do not correspond to the actual machine, the actual machine shall prevail. Such errors or omissions can not be relied upon in court, it will be revised in the new edition.

The company reserves the right to amend all contents of this manual without notice.

Emergency treatment&Warning

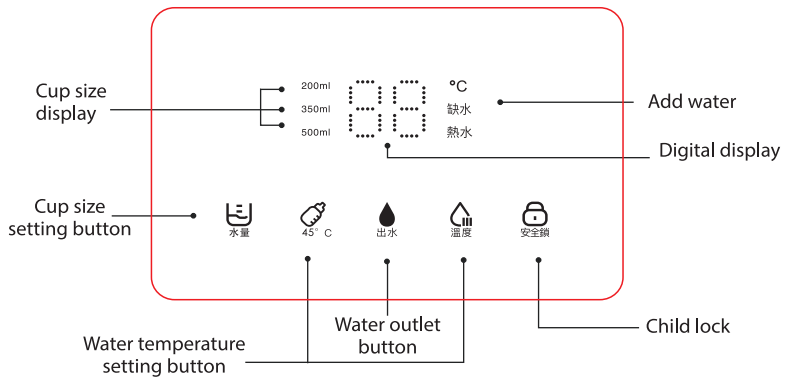
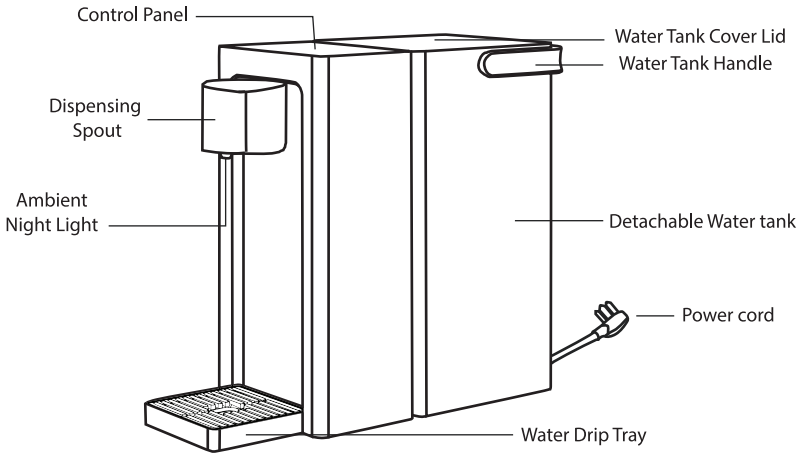
- ◎ In case of abnormal or burning smell, the power plug should be pulled out immediately, and contact the company's service line or close to the dealer to consult, if the use of abnormal conditions in the risk of fire.
- ◎ To avoid the danger of fire or electric shock, do not expose the unit to rain or moisture.
- ◎ Please make sure that the power cord is firmly plugged into the power outlet, so as not to cause high heat generated by the plug plug, resulting in accidents.
- ◎ If the power cord or the power base is damaged, please contact our service line or the nearest dealer.

Important safety instructions

Before using this machine, you should read the following items and instructions carefully and save them for future reference:

1. Children should be supervised to ensure that they do not play with electrical appliances.
2. This appliance is not intended for use by users (including children) who lack physical, sensory, mental ability, experience or knowledge, unless it is used safely under the supervision or direction of a person responsible for its safety.
3. Please put the water dispenser on a stable table, do not leave when using. Please do not add more than the maximum scale, do not add hot water, ice and other mixed liquids, such as milk, juice, etc. .
4. Correct use of power sockets, in the maintenance, transport process must be disconnected power. Please do not use wet hand to pull the plug, in order to avoid causing fire, electric shock or short circuit.
5. When cleaning, the machine body should not be immersed in water, please do not use water to wash the drinking machine host.
6. If the power cord is damaged, it must be replaced by a professional from the manufacturer, its maintenance department or similar department to avoid danger.
7. Please use the outlet with ground wire with rated current of 10 A or above alone. Avoid sharing the outlet with other electrical appliances in case of abnormal fire.
8. Please do not use for voltage other than AC 110V, so as not to cause fire, electric shock.

Guide To The Appliance

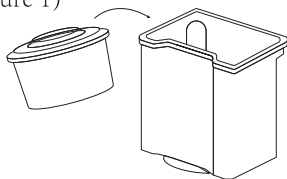


Installation

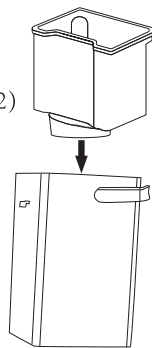
1. The filter element is arranged in the filter element box. (Figure 1)
2. Then put the filter box into the water tank. (Figure 2)
3. Align the bottom buckle of the water collector to the slot under the fuselage and gently press the buckle. When it is necessary to remove, raise the water accumulation plate upward and remove it from the slot. Please clean the water tank before use, add drinking water and install it on the water dispenser as shown. (Figure 3)
4. Plug the power cord firmly into the socket. (figure 4)

long-term use note: power cord plug must be firmly inserted into the socket, if not firmly inserted, because the socket electrode arcs, resulting in high temperature may cause fire. Please add drinking water: Please do not take the water tank with one hand to avoid falling.

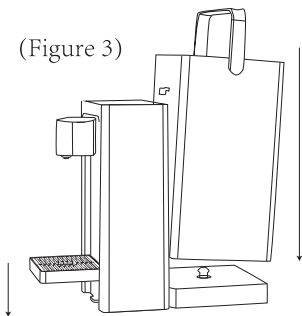
(Figure 1)



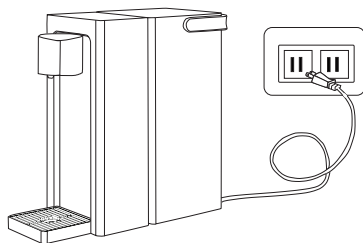
(Figure 2)



(Figure 3)



(Figure 4)



Operation Instruction

Power on / Start up

1. Connect the plug to the 211V household powersupply and you will hear a "Di" sound, and all indicators will be on for 1 second and then go off. The dispenser enters the working state. Each time the water dispenser is powered off and then energized again, it will display "[]", indicating that cleaning program needs to be run. Please place a container not less than 150 ml below the outlet and press water outlet button. The symbol "[]" will be continuously displayed during water flowing. The cleaning is finished when about 100 ml of normal temperature water flows out, and it can be used normally.

Note: It is not recommended to drink the water discharged during automatic cleaning.

Unlock

2. Short press the child lock button and you will hear a "Di" sound, then other button lights will be on and also the ambient light of water outlet will be on, indicating that it is unlocked successfully. The water dispenser will automatically enter the locked state after 30 seconds without any operation. At this time, only the child lock light is on and other button lights are off, and the ambient light of water outlet is off synchronously.

Dispense water

3. In the unlocked state, you can select different water quantity and temperature as required, and press the water outlet button to dispense water. The water dispensing is finished when a "Di" sound is heard. In the process of dispensing water, press the water outlet button again and the water flowing will be manually stopped. When the water flowing is stopped, there will be a slight delay to avoid dryburning, which is a normal phenomenon.

Cup size

4. Short press the cup size button to select different water volumes. It is 200 ml for small cup, 350 ml for medium cup and 500 ml for large cup.

Temperature setting

5. Short press the temperature setting button to set the required water temperature. The usual water temperature is 25°C, 45°C, 65°C, 85°C and boiled water, and long press the temperature setting button to adjust the water temperature every 1°C.

Preparing milk formula

6. Short press the milk formula preparing button to set the water temperature to 45°C.

Temperature setting	Temperature displayed	Outlet temperature
Normal temperature	25°C	Normal temperature
45°C	45°C	45±2°C
65°C	65°C	65±2°C
85°C	85°C	85±2°C
Boiled water	HI	About 93-99°C

* The above temperature test data are from Qukelaboratory.

* The outlet water temperature may be slightly incorrect due to the influence of voltage, ambient inlet water temperature, altitude and other factors.

Manual boiling point adjustment

7. The boiling point of water dispenser can be adjusted according to the altitude to avoid abnormal operation caused by excessive steam. When the water dispenser displays "[]" after power on, long press the milk formula preparing button for 5 seconds until the number starts to blink. Press the temperature setting button to adjust the boiling point temperature (85-99) according to the actual use. After the adjustment, long press the milk formula preparing button to complete the setting.

Water shortage warning

8. If there is no water detected in the machine within 5 seconds during the normal water dispensing process, the "Add water" light will go on, and you will hear a water shortage prompt sound of "Di, Di, Di" at this time, please add water in time.

Descaling

9. According to the instructions of the citric acid product used, add the diluted citric acid solution to about 1/3 of water tank (about 1.0 L), and place a container not less than 1.5 L under the water faucet (used to collect the discharged hot water). Set the temperature to the boiling water state and set the cup size to large cup. After dispensing water 2 times, please pour out the water remained in water tank and clean the tank. Add about 1.0 L of purified water at normal temperature and press the water outlet again to complete descaling.

*Note: Do not drink the hot water discharged during descaling. Prevent water from spilling out of the container during cleaning and descaling.

Product Specifications

Rated power: 1450W	Rated voltage: 110 V~
Applicable water source: Purified water	Rated frequency: 60 Hz

Cleaning & Maintenance

- If the dispenser is not used for a long time, unplug the powersupply and drain the remaining water in the tank. Fill about500 mL of boiled water before using again.
- The drip tray (detachable) and water tank can be cleaned inwater, and wiped dry with a soft cloth.
- The water in the tank should not be stored for more than 48hours, clean the tank regularly.
- Do not place the dispenser in direct sunlight or strong lightkeeping away from fire and high temperature.
- Be ensure to use purified water, using of tap water or water source with poor quality may cause less water volume,blockage, scaling and etc., and may lead to shorter servicellife of water dispenser.

Troubleshooting

Fault phenomenon	Fault cause	Solution
Unable to switch on the water dispenser	Power plug is not connected in place	Ensure the correct connection between plug and socket
Water shortage indicator lights up	Water dispenser is in the state of water shortage alarm	Add purified water in the water tank
Water temperature is low under boiled water state	The boiling point is set too low	Restore factory settings
indicator is not on after energized, and no response to the button	The circuit board is damaged	Contact after-sales service
E2,E3 in the display	The internal temperature sensor is faulty	Contact after-sales service

非常感謝您：

承蒙惠購本產品，本公司除表達最高謝意外，並將本著一貫的服務精神，隨時為您提供最佳服務，在您使用前務請詳閱本說明書，並依正確方法使用，閱讀完畢後請妥為保管，以備日後使用參考。

商品保證書

機型: SA-HQ09

購買日期: 年 月 日

顧客	姓名	電話:
	地址	
經銷商		

- 一. 上列保證書應確實填寫，並蓋有經銷商店章始為有效。
- 二. 免費服務年限為一年，自購買日起一年內，在正常使用下，如發生故障，則免費維修，但人為或天災地變或蟲害，不在此限。(如需服務換修零件，則按本公司服務規定，收取維修費)。
- 三. 收費服務年限為兩年，收費服務兩年內，如需維修則按本公司服務規定，收取維修費。
- 四. 自然耗材不在保固範圍內(例：電池、充電電池、天線、磁頭、雷射頭、耳機、遙控器、信號線、燈泡、刀具組、濾網、線材與隨機附贈之軟體及其他配件…等)。
- 五. 本保證書遺失恕不補發，但如需服務，則依出廠日期，計算保證年度。
- 六. 本商品無外修服務，如有另行約定則外出檢修費，依本公司規定收取；若發生故障請送回原購買經銷商或親洽本公司所屬營業所。
- 七. 本商品維修範圍僅於“台、澎、金、馬”(需付擔一趟郵資)，其餘地區請自付來回郵資。
- 八. MP3、音響…等產品送修時，內存的資料(數位、類比)有可能流失，建議送修前請先備份，若有資料遺失之情形，本公司將不負任何賠償責任，郵寄維修視同同意本條款。
- 九. 本商品使用於營利商業用時，其保證期限按保證書所載期限減半保固。
- 十. 任何商品會因為科技的不斷追求創新，推陳出新過程中不排除商品原始設備的硬體規格，無法滿足屆時的雲端技術、軟體搭配支援與最低硬體基本需求時，商品原始設備將自動停止雲端後台服務使用!本公司商品硬體保固一年，仍會不斷推出新相關類型商品，再歡迎繼續購買使用。

宣告：

說明書經仔細檢查及檢對，但仍不排除文字拼寫及技術錯誤之可能，此種錯誤或疏漏將於新版予以修正。本手冊之全部內容，本公司享有隨時修改之權利，且不另行通知。

委製商/進口商/售後服務

旺德電通股份有限公司

新北市五股區五工三路116巷6號

服務專線:(02)8990-4440

E-mail:service1@wonder.tw